

# LEONARDO HD

# Why choose Leonardo HD?

- innovative lift able to fully replace scaffoldings, ladders and traditional level access systems
- second generation of the tried and tested Leonardo platform, increased in strength and robustness
- it reaches a 5 mt working height
- all-steel chassis and hood granting the maximum protection of the components
- integrated forklift pockets
- wide LCD screen located on the control panel shows the state of the vehicle through a battery indicator
- capacity of 180 Kg and ultra-compact size (1200x760x1747 mm) allow for an exceptional maneuverability even in difficult working conditions
- pothole protection mechanism provides unique ground clearance
- easily overcomes a 35% gradient and with the help of ramps it can also overtake obstacles such as steps and staircases
- innovative lifting mast system, guaranteed 10 years.



## EFFICIENT AND VERSATILE

Provided with an automatic hinge lifting system, LEONARDO HD is even quicker and more practical to load and unload. Thanks to its ultra-compact size the operator can easily move in restricted spaces. With a featherweight of 530 Kg for the Indoor version and of 560 Kg for the Outdoor one and a 17° break-over angle, Leonardo HD can be loaded even on small vans, making the transportation easy and convenient. It perfectly fits regular elevators to reach also the highest floors of a building.

## SAFE

LEONARDO HD has a drive speed of 3 Km/h while stowed and of 0,6 Km/h with platform elevated. Created to be used in the harshest sites, its active pothole protection system prevents the chassis from scraping against the ground while at the top of a slope. Thanks to its 87 mm astonishing ground clearance, combined with an ultra-compact footprint and with a wheel lock system locking the front casters, LEONARDO HD is able to move on a straight line both back and forth. This allows the operator to work in narrow spaces while drastically reducing the chance of human errors.

## DURABLE

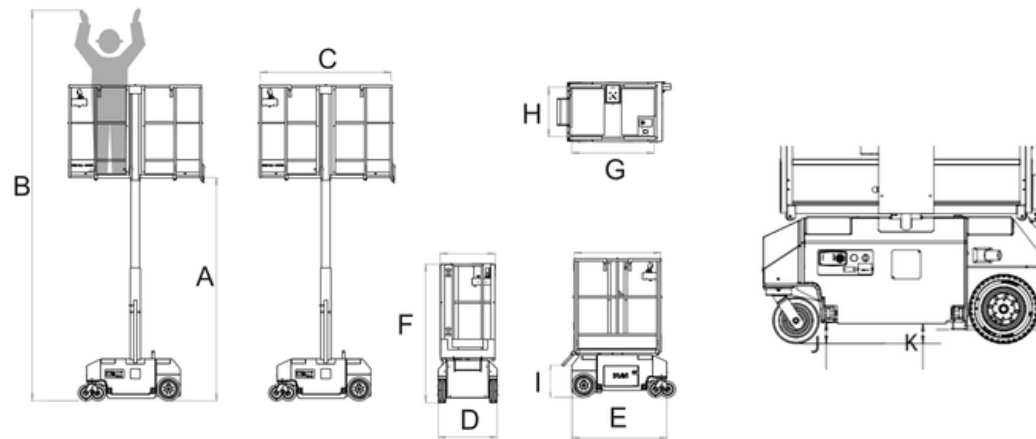
Simple, convenient and easy to use, LEONARDO HD is the result of continuous technical developments. Other than checking the water level of the battery, this lift does not require any kind of upkeep, maintaining extremely moderate annual maintenance costs. **OPTIONAL:** It is possible to fully eliminate batteries' maintenance by installing 100 Ah 12V AGM batteries, available also for all our products.

**"The Leonardo HD is the first piece of equipment to get on the job site and the last one to leave."**



## Measurements

A	Platform Height	2900 mm	Unit Weight (CE) Indoor	530 KG
			Unit Weight (CE) Outdoor	560 KG
B	Working Height	4900 mm	Rated Number of Occupants (CE)	1
C	Platform Length w/ decks ext.	1700 mm	Drive Speed Stowed	3 Km/h
D	Width	760 mm	Drive Speed Elevated	0,6 Km/h
E	Base Length	1192 mm	Raise/Lower Speed	16 / 21 sec
F	Height Stowed	1747 mm	Inside Turning Radius	ZERO
G	Platform Length	1036 mm	Outside Turning Radius	1200 mm
H	Platform Width	630 mm	Controls	One hand proportional controller
I	Entry Step	400 mm	Gradeability	35%
J	Ground Clearance - front	92 mm	Tank Capacity	1.1 Imp. gal
K	Ground Clearance - middle	87 mm	Power Source	110/220 V ca 24Vcc
Platform Capacity w/ decks ext.		180 kg	Batteries	n° 2 - 12V; 85Ah@20h 105Ah@20h



## Contacts

[info@bravi-platforms.com](mailto:info@bravi-platforms.com)

[www.bravi-platforms.com](http://www.bravi-platforms.com)

+39 071 7819090



**BR****AVI**  
PLATFORMS